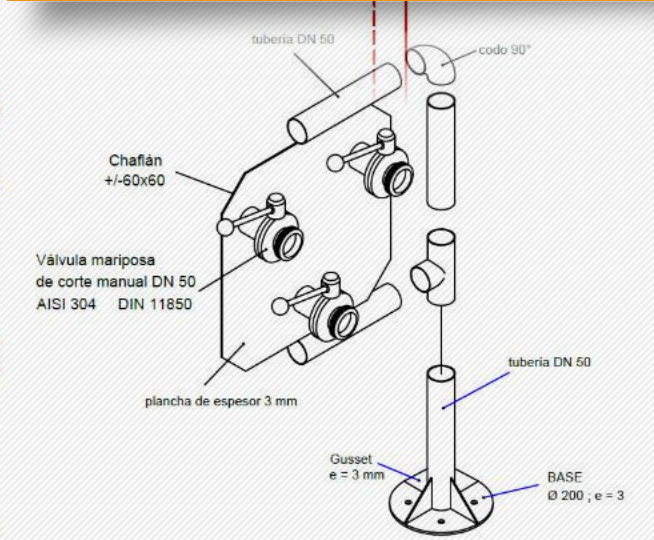
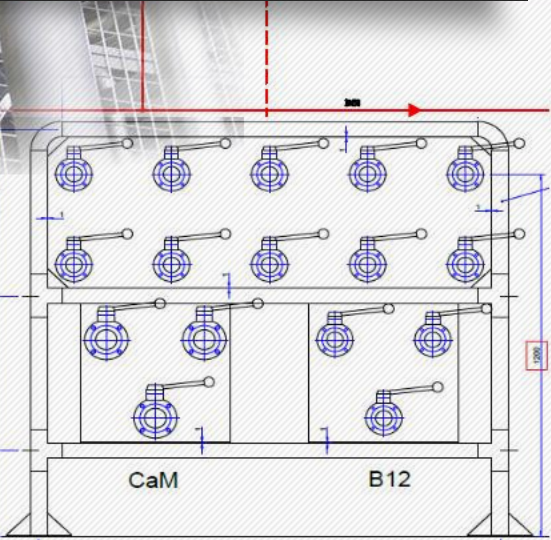
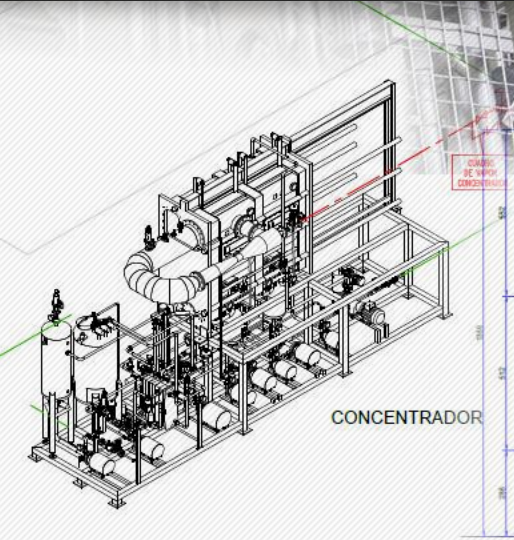
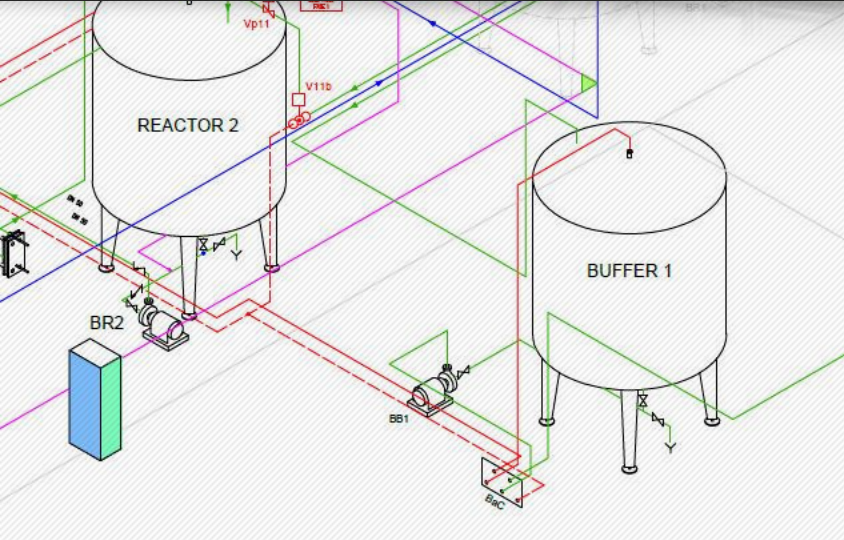


Food Process Engineering



About us



We are an
Interdisciplinary
Engineering
Collaboration

Process

Automation

Engineering

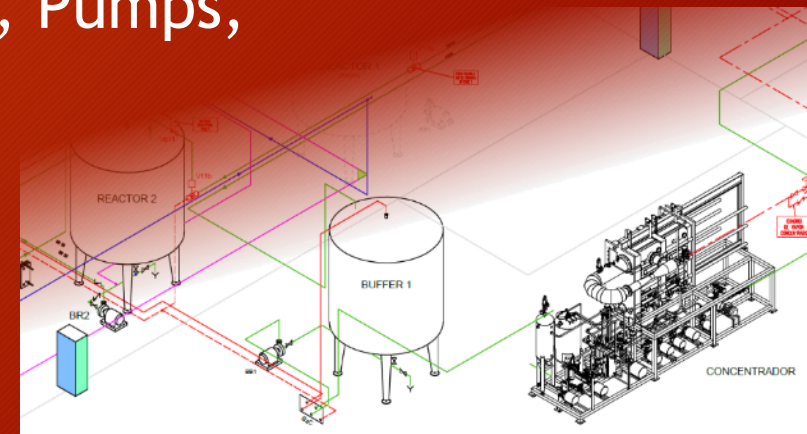
Approach

- Preparation of Flow and process Diagrams
- mechanical Engineering
- Piping Design
- Sizing of Components (Exchangers, Pumps, etc.)
- Design of Automation and Instrumentation concepts



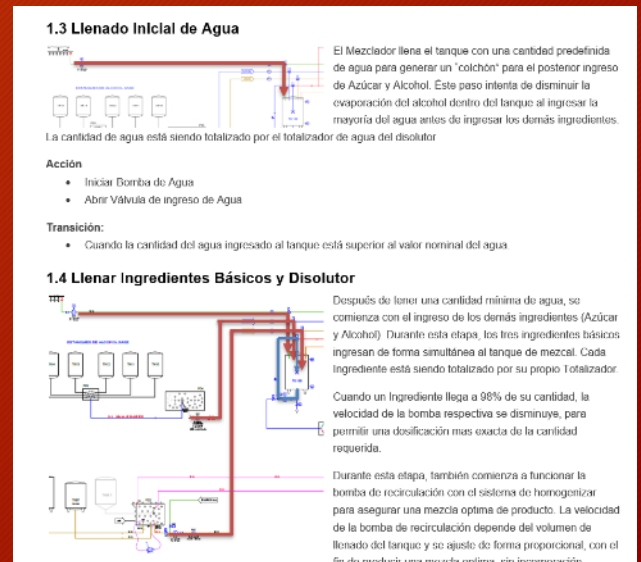
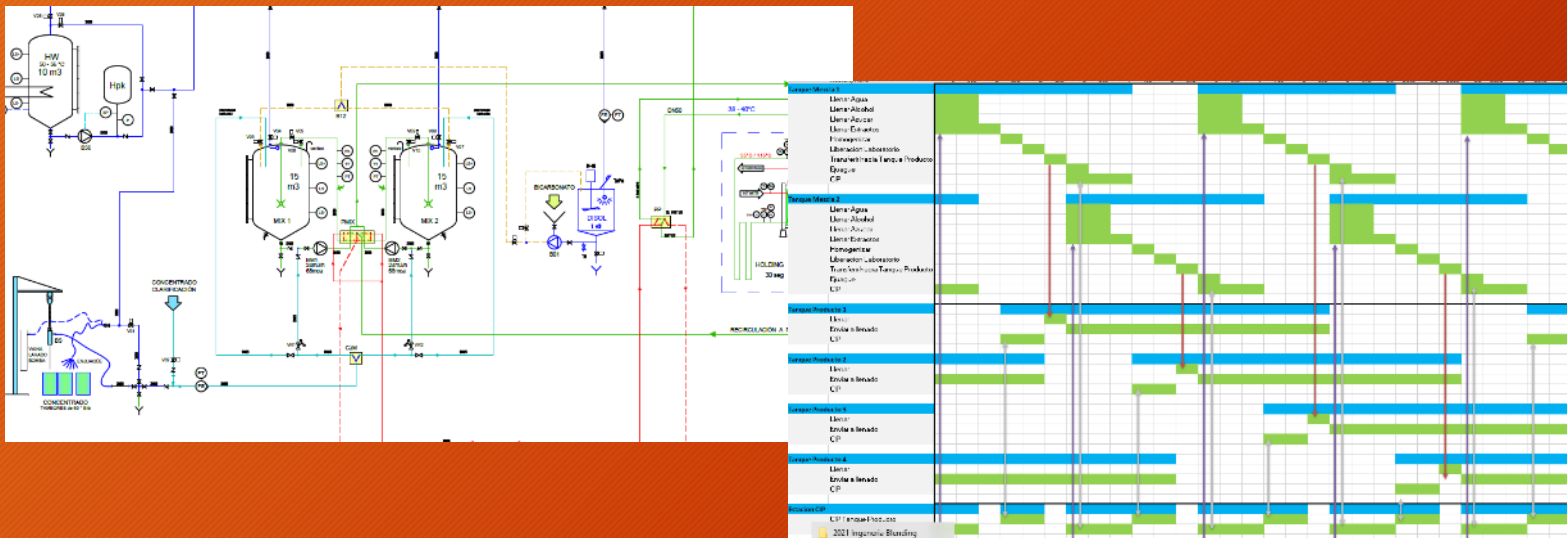
Services we offer

- Project administration
- Preparation of Process solutions
- Flow and Instrumentation Diagrams (P&ID)
- Isometric Diagrams for Piping
- Manufacturing plans and layout
- Sizing and selection of Components (Heat Exchangers, Pumps, Valves, etc.)
- Automation and Instrumentation Design



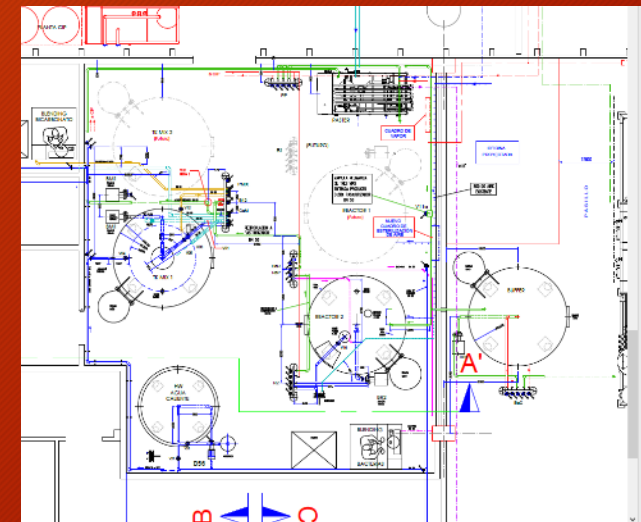
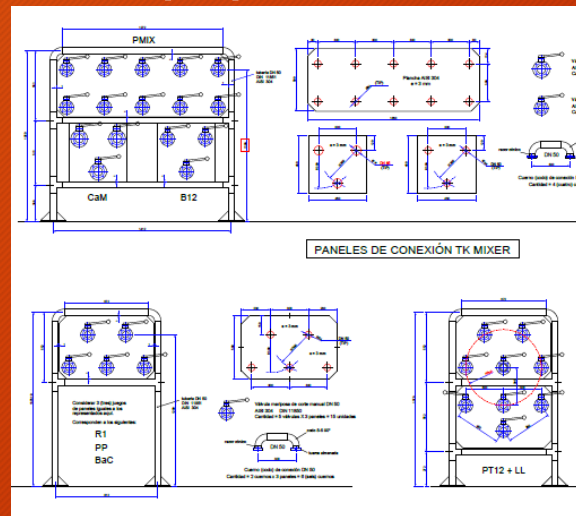
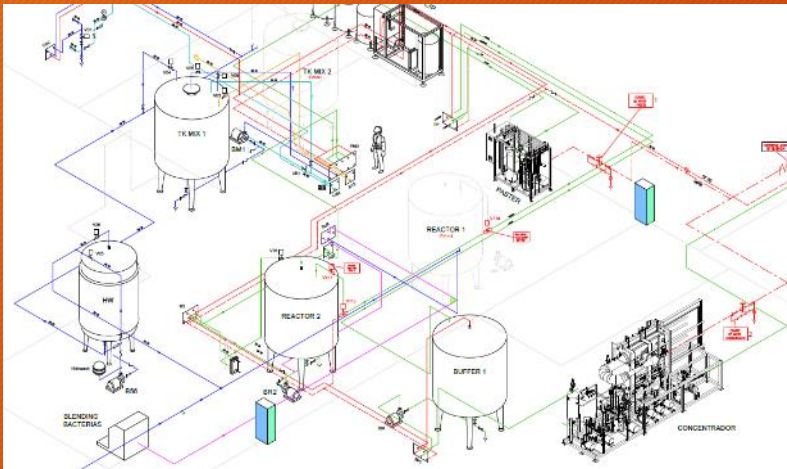
Flow and Process Diagrams

- Flowcharts and Instrumentation (P&ID)
- Process logic diagrams
- Equipment Occupancy and Simultaneity Diagrams
- Description of the designed processes



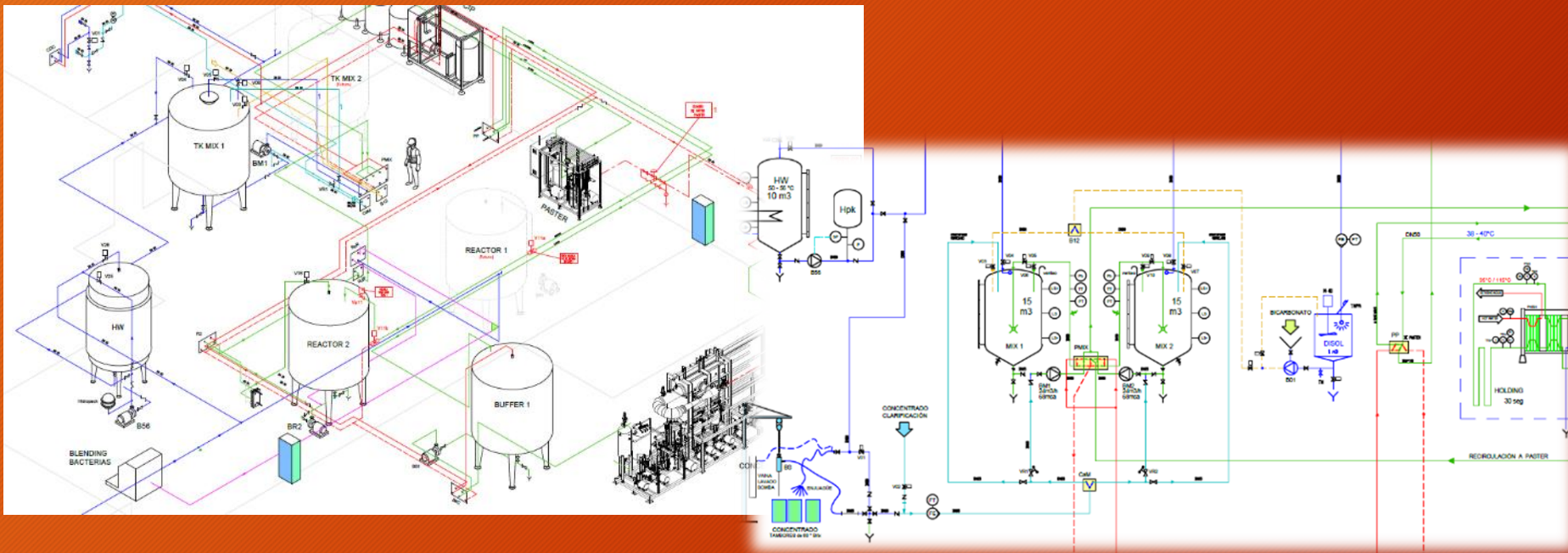
Manufacturing Mechanical Diagrams

- Installation and Piping Isometrics
- Piping Routing
- Piping Bridge Design
- Detail diagrams for mechanical manufacturing
- Layout and location of the equipment



Previous jobs

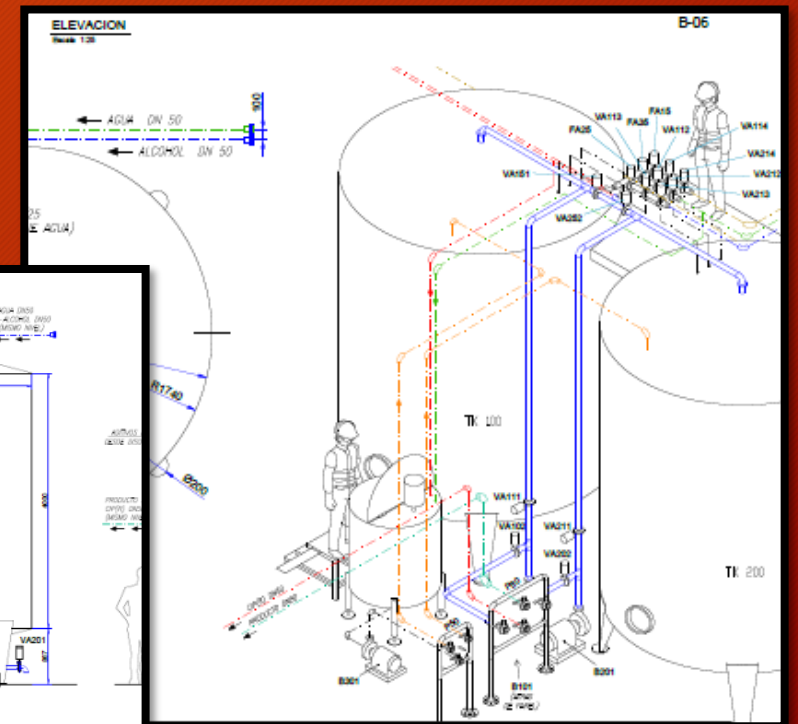
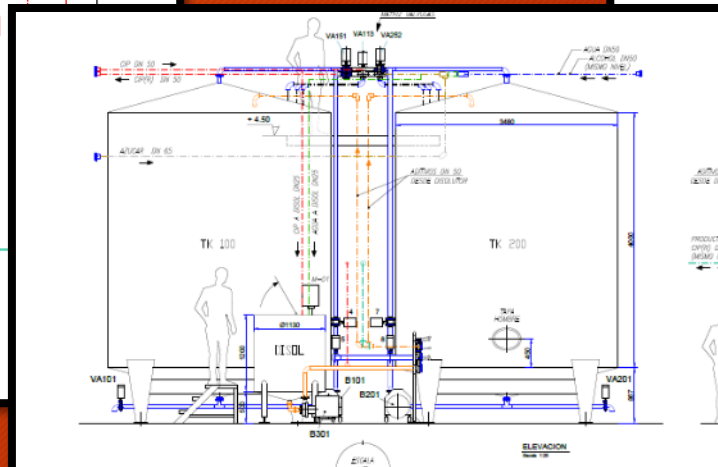
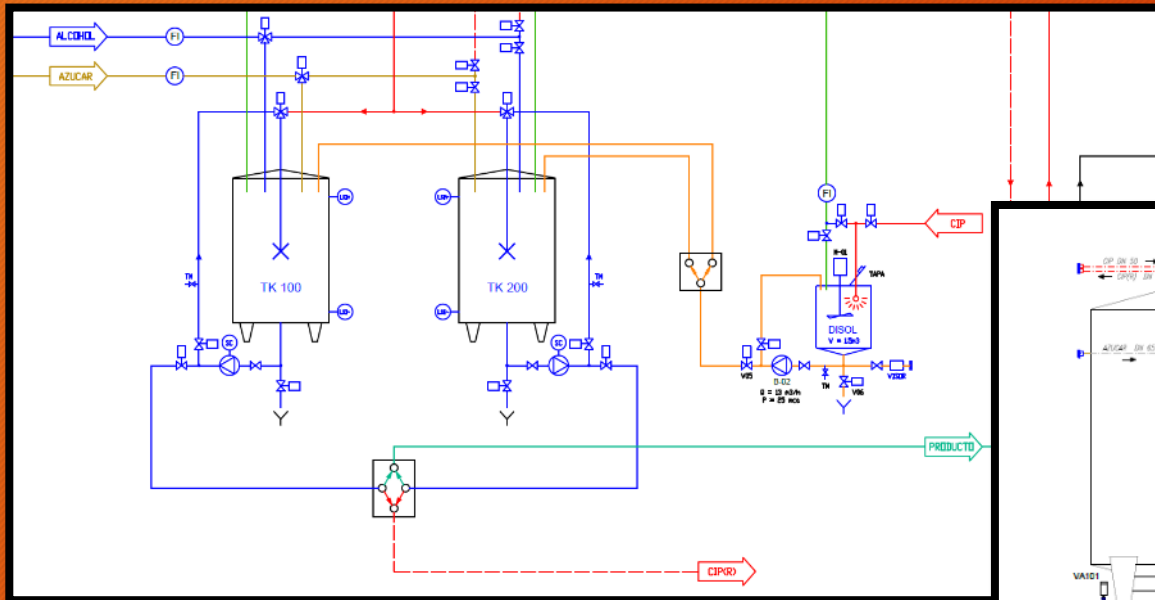
- DianaFoods, Paine
- Design of the production process area with the integration of Alfa Laval machines to the process



Previous jobs

Pisquera CPCH, Ovalle

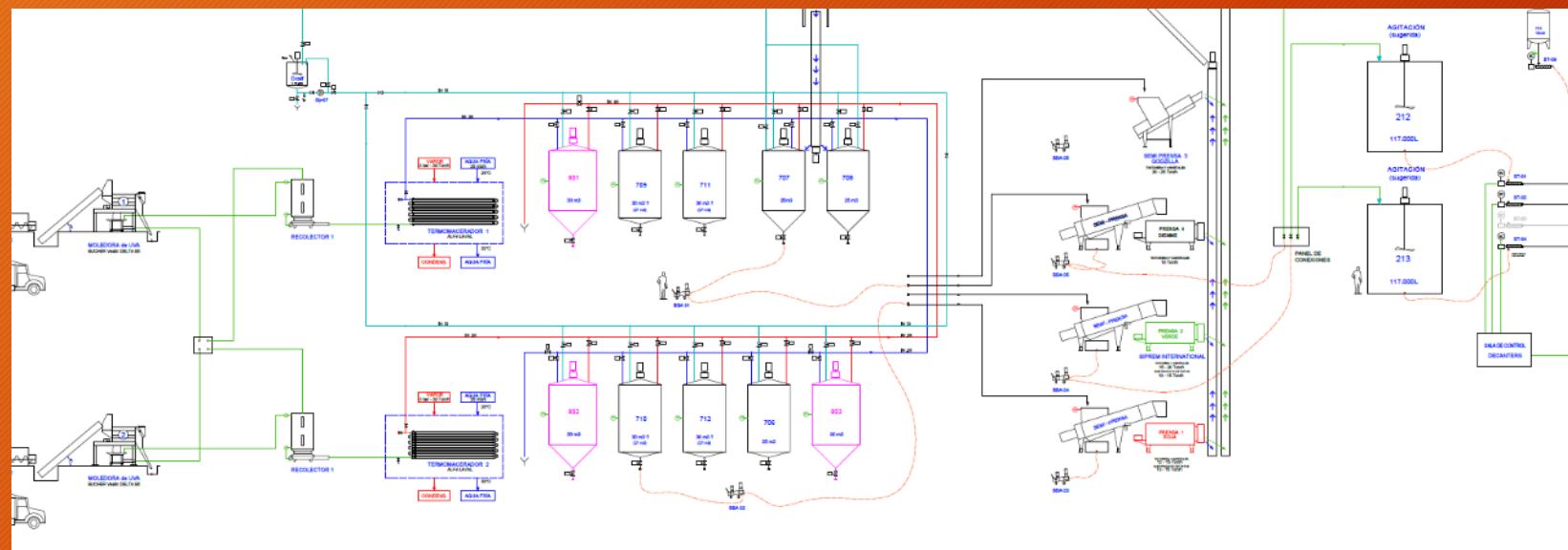
Design of an automatic concept for preparing cocktail mixes, using existing equipment



Previous jobs

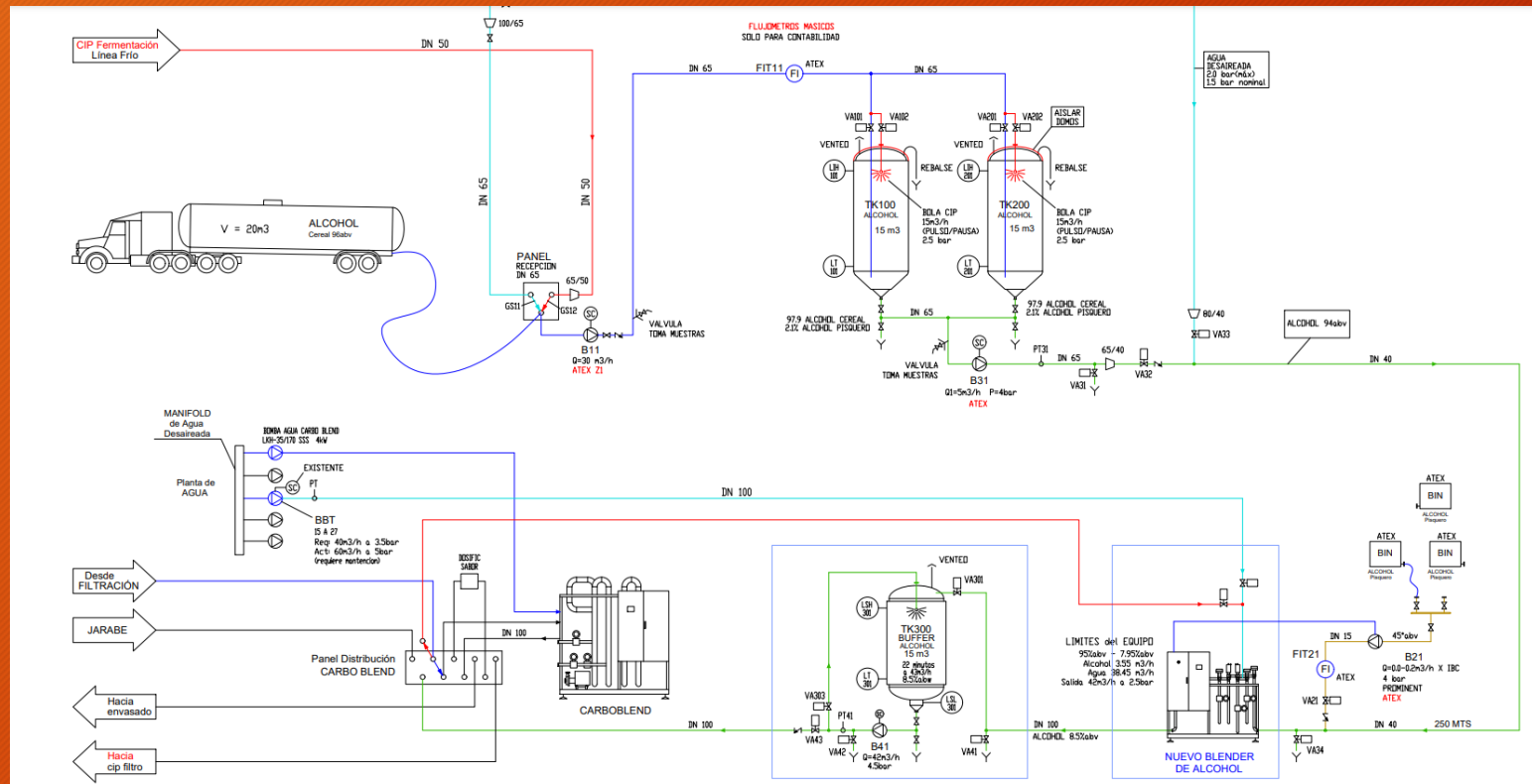
Lourdes bulk Wine, Isla de Maipo

Redesign of the Grinding, Maceration and Clarification area of grapes



Previous jobs

Design of a high concentration Alcohol dilution plant, with considerations AtEx (Explosive Atmospheres)



Previous jobs

Stabilizer for Tartaric grape juice

